

FR GUIDE D'UTILISATION
DE BETRIEBSANLEITUNG
EN GUIDE TO INSTALLATION
ES MANUAL DE UTILIZACIÓN
IT MANUALE D'USO
NL GEBRUIKSAANWIJZING
PT GUIA DE UTILIZAÇÃO

Hotte décor
Dekor-Dunstabzugshaube
Decorative Hood
Campana extractora decorativa
Cappa arredamento
Designafzuigkap
Exaustor decorativo

De Dietrich 



FR 02 *Dear Customer,*

DE 23

*You have just acquired a **DE DIETRICH** hood and we would like to thank you.*

EN 44

Our research teams have created this new generation of appliances for you. Their quality, design, features and technological advances make them exceptional products, and reveal our unique know-how.

ES 65

IT 86

*Your new **DE DIETRICH** hood will blend harmoniously into your kitchen and will perfectly combine extraction performance and ease of use. We wanted to offer you a product of excellence.*

NL 107

PT 128

*In the **DE DIETRICH** product line, you will also find a wide range of ovens, microwaves, hobs, cookers, dishwashers and fridges that you can coordinate with your new **DE DIETRICH** hood.*

Of course, in an ongoing effort to best satisfy your demands with regard to our products, our after-sales service department is at your disposal and ready to listen in order to respond to all of your questions and suggestions (contact information at the end of this booklet).

Visit our website www.dedietrich-electromenager.com, where you will find our latest innovations as well as useful and complementary information.

DE DIETRICH
Setting New Values

As part of our commitment to constantly improving our products, we reserve the right to make changes to them based on technical advances to their technical and functional features and appearance.



Warning:

Before installing and using your appliance, please carefully read this Guide to Installation and Use, which will allow you to quickly familiarise yourself with its operation.

www.dedietrich-electromenager.com 

1 / NOTICES TO THE USER	
• Safety recommendations _____	46
• Environmental protection _____	47
• Description of your appliance _____	48
2 / INSTALLING YOUR APPLIANCE	
• Using the evacuation version _____	49
• Using the recycling version _____	49
• Electrical connection _____	50
• Assembling the hood _____	51
• Assembling the ventilation shaft	
◦ Outdoor evacuation _____	52
◦ Recycling _____	53
3 / USING YOUR APPLIANCE	
• Description of the controls _____	54
• Starting the hood _____	55
• Stopping the hood _____	55
• Changing the speed _____	55
• Delayed stop _____	56
• Light _____	56
• Locking the control panel _____	56
• Recirculation mode _____	57
• Extraction mode _____	58
• Saturated filter cartridge _____	59
• Saturated carbon filter _____	59
• Auto stop fan _____	59
• Auto stop lighting _____	59
4 / CARING FOR AND CLEANING YOUR APPLIANCE	
• Cleaning the filter cartridges _____	60
• Changing the carbon filter _____	60
• Cleaning the outer surfaces _____	61
• Changing the light bulb _____	61
• Caring for your appliance _____	62
5 / TROUBLESHOOTING _____	63
6 / AFTER-SALES SERVICE _____	64

**Warning**

Keep this user guide with your appliance. If the appliance is ever sold or transferred to another person, ensure that the new owner receives the user guide. Please become familiar with these recommendations before installing and using your oven. They were written for your safety and the safety of others.

This appliance is not intended to be used by persons (including children) with reduced physical, sensory or mental abilities, or persons lacking experience or awareness unless using it with the help of a person responsible for their safety, or under supervision and with prior instruction in its use.

• SAFETY RECOMMENDATIONS

– This oven was designed for use by private persons in their homes.

– This appliance is to be used by adults. Make sure that children do not touch it and that they do not treat it as a toy. Make sure that they do not touch the appliance's control panel.

– When you receive the appliance, unpack it or have it unpacked immediately. Give it an overall inspection. Make note of any concerns or reservations on the delivery slip and make sure to keep a copy of this form.

– Your appliance is intended for standard household use. Do not use it for commercial or industrial purposes or for any other purpose than that for which it was designed.

– Do not modify or attempt to modify any of the characteristics of this appliance. This would be dangerous to your safety.

– Repairs must only be performed by an approved specialist.

– Always unplug the hood before cleaning it or performing other maintenance work.

– Provide adequate ventilation for the room in the case of simultaneous use of the hood and other appliances powered by an energy source other than electricity. This will prevent the hood from aspirating the combustion gases.

– You should never “flambé” dishes under the hood or operate gas rings under the hood without placing cookware on them (the flames sucked up into the hood can damage the appliance).

– When frying food under the appliance, you must carefully monitor the preparation at all times. Oils and grease brought to very high temperatures can catch fire.

– Respect the recommended frequency of cleanings and filter replacements. The accumulation of grease deposits may cause a fire.

– The hood should never be used over a combustible fuel burning stove (wood, coal, etc.).

– Never use steam or high-pressure devices to clean your appliance (requirement imposed by electrical safety concerns).

– With a view to constantly improving our products, we reserve the right to modify their technical, functional or aesthetic characteristics, making any changes to their features considered necessary or desirable in view of technical progress.

– In order to easily locate the reference information for your appliance, we recommend that you note these data on the “After-Sales Service Department and Customer Relations” page. (This page also explains to you where to find this information on your appliance.)

**Warning**

In the case of a kitchen heated by a device connected to a ventilation shaft (a stove, for example) the hood should be installed in the “recycling” configuration. Do not use the hood without metal filters. Suitable ventilation should be provided in the room when the hood is used at the same time as appliances operated by gas or another combustible fuel. You should install a CO (carbon monoxide) detector in your room to warn of any danger of toxic gas. This warning does not apply to appliances which only recirculate air within the room.

• ENVIRONMENTAL PROTECTION

– This appliance's packaging material is recyclable. Help recycle it and protect the environment by dropping it off in the municipal receptacles provided for this purpose.

– Your appliance also contains a great amount of recyclable material. It is marked with this label to indicate the used appliances that should not be mixed with other waste. This way, the appliance recycling organised by your manufacturer will be done under the best possible conditions, in compliance with European Directive 2002/96/EC on Waste Electrical and Electronic Equipment. Contact your town hall or your retailer for the used appliance collection points closest to your home.



– We thank you doing your part to protect the environment.



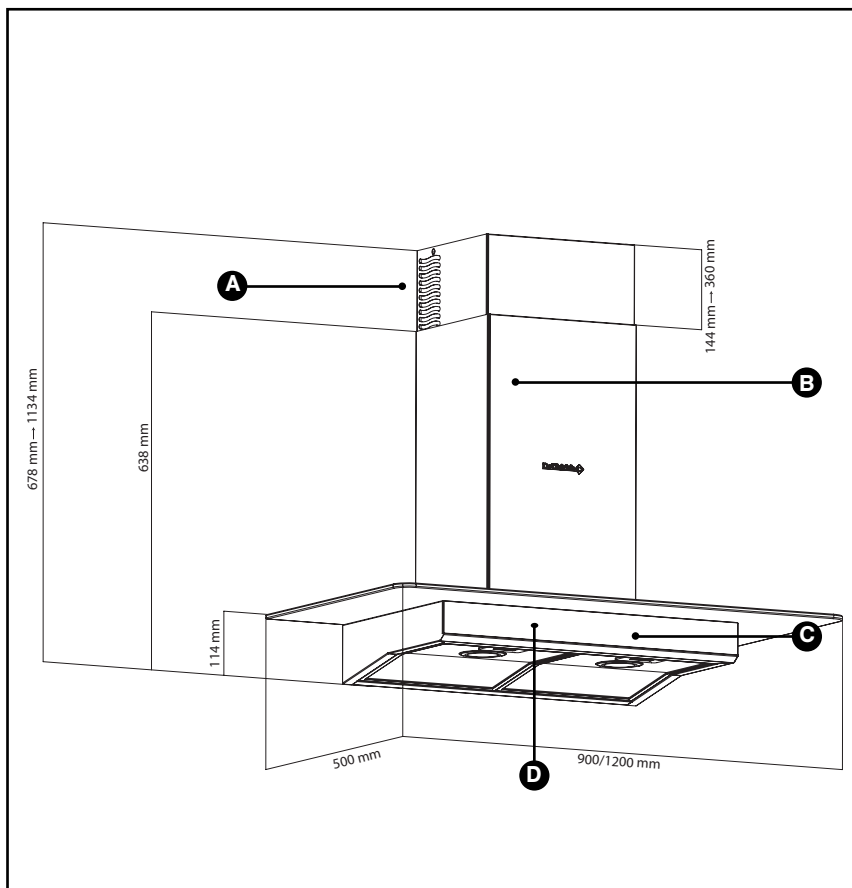
Warning

Installation should only be performed by installers and qualified technicians.



Warning

Before using the filter cartridge for the first time, remove the protective film.

• DESCRIPTION OF YOUR APPLIANCE**A** Vents**C** Top surface**B** Ventilation shaft**D** Control panel

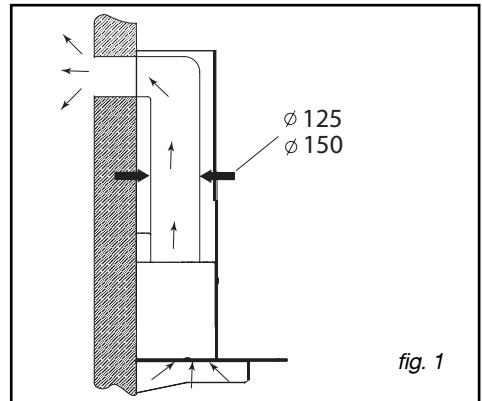
- The appliance must be unplugged during installation or when any repairs or maintenance work is being performed.
- Ensure that the network voltage corresponds to the voltage noted on the identification plate located inside the hood.
- If the electrical installation at your residence requires any changes in order to hook up your appliance, call upon a professional electrician.
- If the hood is being used in evacuation mode, do not connect the appliance to a combustion gas exhaust duct (boiler, ventilation shaft, etc.) or to a CMV (controlled mechanical ventilation) system.
- Under no circumstances should the exhaust duct empty into the attic.
- Install the hood at a safe distance of at least 70 cm from an electric, gas or combined cooking hob.

• USING THE EVACUATION MODE

If you possess an outlet to the exterior

(fig. 1)

Your hood can be connected to this outlet using a flue (minimum diameter 125 mm enamelled, or made of aluminium, flexible or fireproof material).
If your flue is less than 125 mm in diameter, **you must use the recycling configuration.**



• USING THE RECYCLING MODE

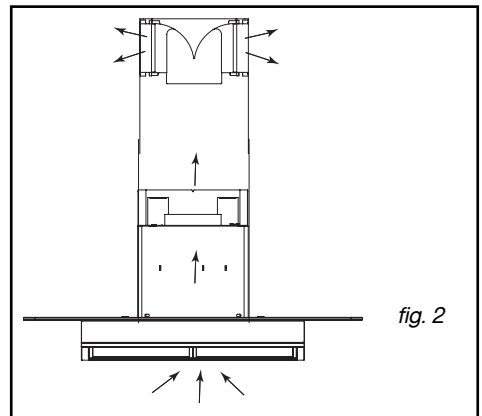
If you do not possess an outlet to the exterior

(fig. 2)

All of our appliances can be used in recycling mode.

In this case, you should add an active carbon filter which will keep in odours.

(See Chapter 4: Changing the carbon filtre.)



• **ELECTRICAL CONNECTION**

During installation and maintenance operations, the appliance must be unplugged from the electrical grid; fuses must be cut off or removed.

The electrical connections are made before the appliance is installed in its housing.

Ensure that:

- the electrical installation has sufficient voltage,
- the electrical wires are in good condition,
- the diameter of the wires complies with the installation requirements.



Warning

This appliance is delivered with a H 05 VVF power cord that has three 0.75 mm² conductors (neutral, phase and ground). It must be connected to the main power supply (which should be a 220-240 V single phase current) via a CEI 60083 standardised socket that should remain accessible after installation, in keeping with installation guidelines.

We cannot be held responsible for any accident resulting from an inexistent, defective or incorrect ground lead. The fuse in your set-up must be 10 or 16 amperes. If the power cable is damaged, call the after-sales service department in order to avoid danger.



Warning

If the electrical installation at your residence requires any changes in order to hook up your appliance, call upon a professional electrician.



Warning

If the hood displays any malfunctions, unplug the appliance or remove the fuse corresponding to the electrical socket where your appliance is plugged in.

• ASSEMBLING THE HOOD



Warning

The hood must be installed in compliance with all applicable regulations concerning the ventilation of premises. In France these regulations are described in DTU 61.1 from the CSTB. In particular, the evacuated air should never be conveyed to a duct used to evacuate smoke from appliances that use gas or other combustible fuels. Unused ducts may only be used after approval from a competent specialist.

The minimum distance between the cooking surface and the lowest part of the hood must be 70 cm. If the instructions for the hob installed under the hood specify a distance of more than 70 cm, this requirement must be respected.

- Draw a horizontal line 70 cm minimum from the cook top (A/fig.1).
- Draw a vertical line (B/fig. 1) on the wall that is centred over the cook top and that extends from the ceiling to the horizontal line drawn in the previous step (A).
- Place the C template (fig. 1) on the wall, superimposing the line that represents the hood's axis over vertical line B (fig. 1) drawn in the previous step.
- Attach the ventilation shaft bracket F (fig. 1) flush with the ceiling for support and position the notches over axis B.
- Drill the six holes. Insert the six wall plugs.
- Screw in the two brackets E.

– Using the rectangular cut-outs, attach the suction hood to the two brackets (fig. 2). The size of these cut-outs allows you to adjust the position to the right or left.



Tip

Correct the height and the levelness by moving the adjustment screws "G", then firmly press the hood by tightening the screws "H".

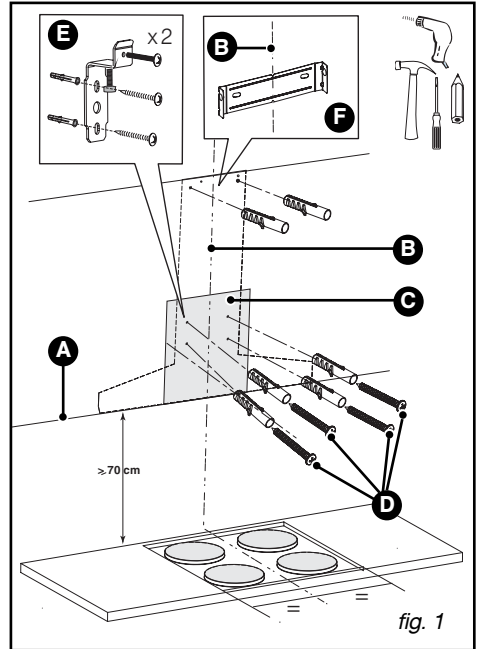


fig. 1

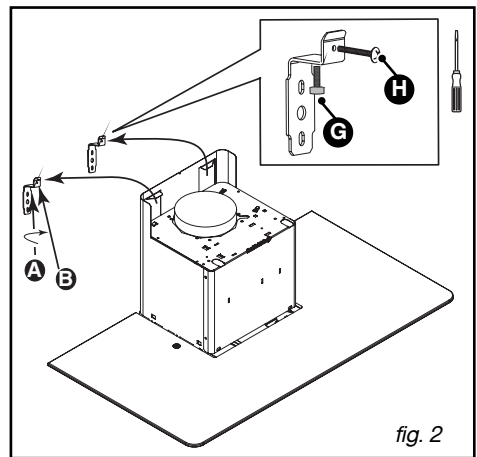


fig. 2

• **ASSEMBLING THE VENTILATION SHAFT**

• **Outdoor evacuation**

– Using the two screws (fig. 1), attach the metal ventilation shaft bracket against the wall, flush with the ceiling for support.

– Mount the back-flow valve near the motor outlet (fig. 2). This back-flow valve makes it possible to block the entry of air from the outside.

– If a 125-mm flue is being installed, use the adapter provided (fig. 3).

If the diameter of your exterior flue is less than 125 mm, you must connect your hood in the recycling configuration.

– Slide the end of the flue over the motor outlet (fig. 4).

– Prepare your telescoping ventilation shaft, taking care not to block the vents (fig. 4).

Fit the ventilation shafts into one another as far as they will go.

– Attach the upper portion of the ventilation shaft (B/fig. 4) on the metal ventilation shaft bracket (A/fig. 4) using the two screws (G/fig. 4).

– Adjust the length of the telescoping ventilation shaft by bringing down the lower part and fitting it into the top of the hood.

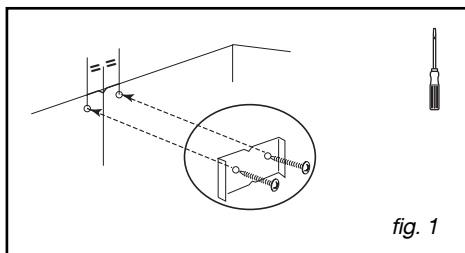


fig. 1

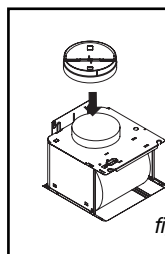


fig. 2

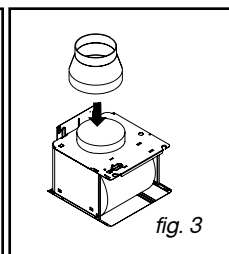


fig. 3

- A** Ventilation shaft bracket
- B** Telescoping ventilation shaft
- C** Flue
- D** Adaptor
- E** Back-flow valve
- F** Motor outlet
- G** Ventilation shaft holding screw

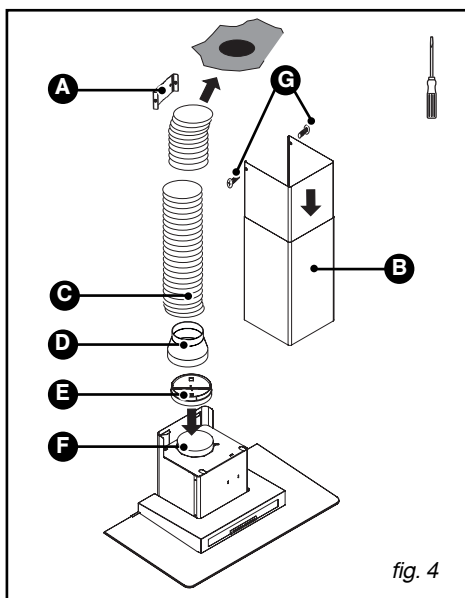


fig. 4

• **Recycling**

- Remove the back-flow valve (fig. 1).
- Using the two screws (fig. 2), attach the plastic smoke deflector against the wall, flush with the ceiling. Be careful to centre the deflector in relation to the vertical line drawn on the wall (fig. 2).
- Slide one end of the flue over the deflector and the other end over the motor outlet (fig. 3).
- Prepare your ventilation shaft, taking care to face the vents upward so that they are visible (B/fig. 3).
- Attach the upper portion of the ventilation shaft (C/fig. 3) on the metal smoke deflector (A/fig. 3) using the two screws (F/fig. 3).
- Adjust the length of the telescoping ventilation shaft by bringing down the lower part and fitting it into the top of the hood.

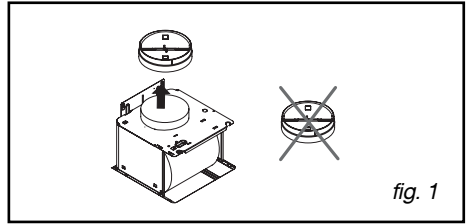


fig. 1

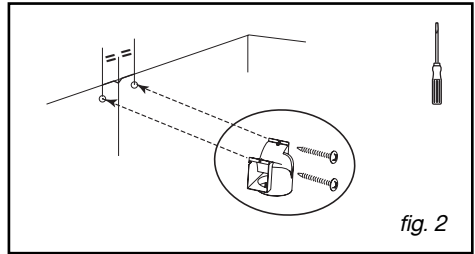


fig. 2

- A** Smoke deflector
- B** Vents
- C** Telescoping ventilation shaft
- D** Flue
- E** Motor bracket
- F** Ventilation shaft holding screw



Tip

For optimal use of your appliance, we recommend that you connect the hood to a 150-mm diameter flue (not delivered with the appliance). Minimise the number of angles and bends and the lengths of the flue. In the event that the hood will be operated using outdoor evacuation, you should ensure a sufficient inflow of fresh air to avoid a pressure deficiency in the room.

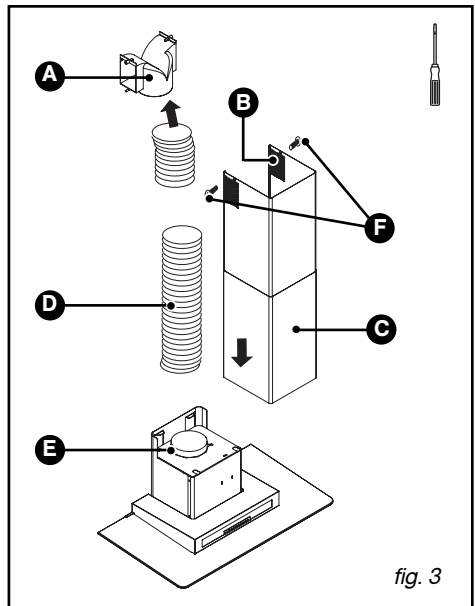
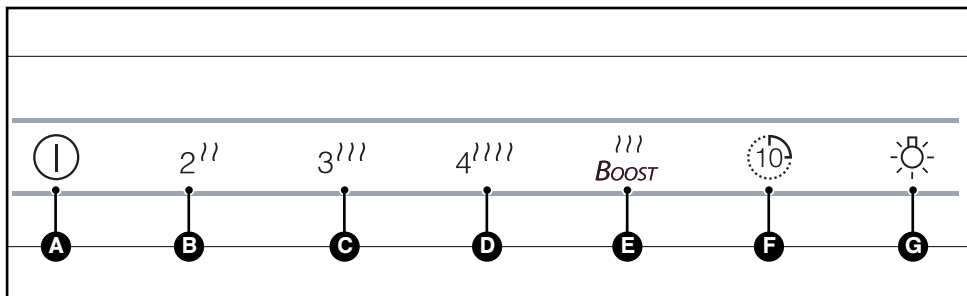


fig. 3

• DESCRIPTION OF THE CONTROLS

A On/Off-Speed 1

B Speed 2

C Speed 3

D Speed 4

E Boost

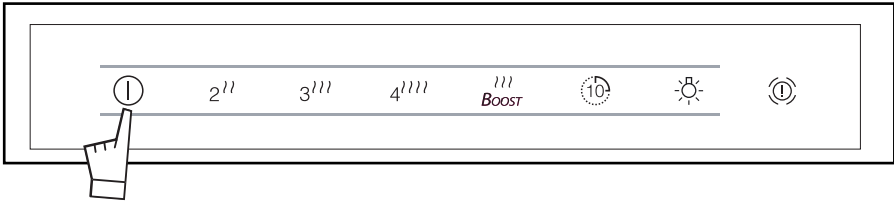
F Delayed stop

G Lighting

**Tip**

This Guide to Installation and Use is valid for several models. Minor differences in details and fittings may emerge between your appliance and the descriptions provided.

• STARTING THE HOOD

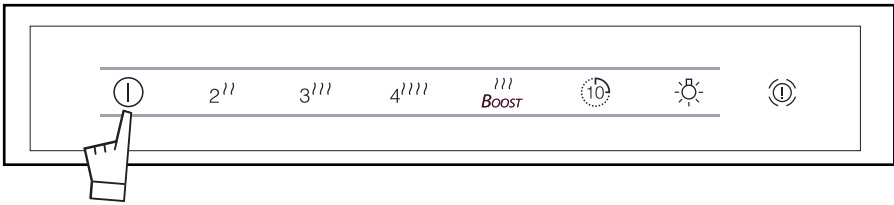


Pressing the ① button starts the hood at speed 1.

Pressing the 2^{ll} button starts the hood at speed 2.

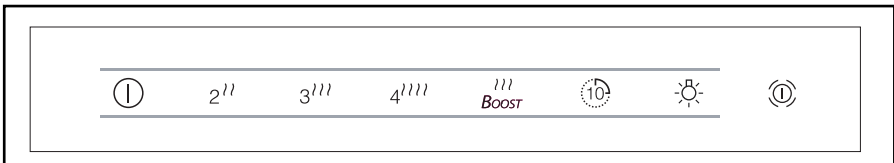
For speeds 3^{lll} - 4^{llll} and Boost^{lll}, perform the same steps.

• STOPPING THE HOOD



To stop the hood, press the ① button for 2 seconds. The lighted speed buttons go out.

• CHANGING THE SPEED

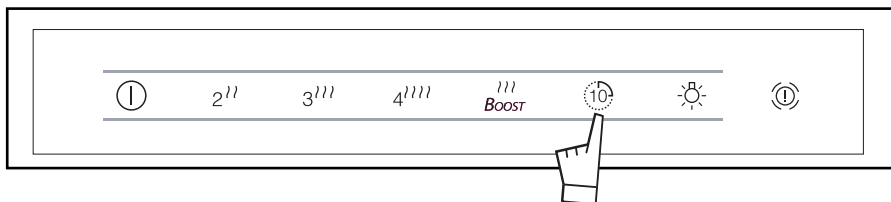


After starting the hood, you can change the suction speed by pressing the appropriate button.

(Eg.: The hood is on speed 2^{ll}. Pressing 4^{llll} switches it to suction speed 4.

The 4^{llll} button lights up).

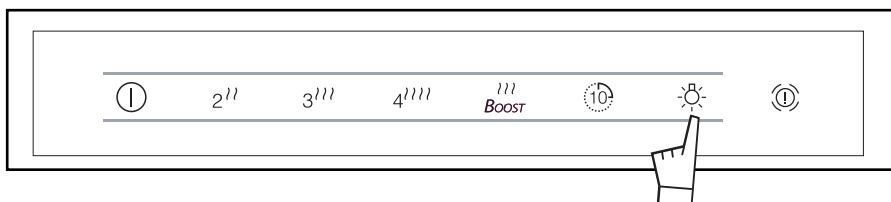
• DELAYED STOP



When you finish cooking, you can select the 10 button to stop your hood. This function allows you to keep the fan on for 10 minutes at the selected speed.

To cancel the delayed stop, press the same button and the delayed stop is cancelled.

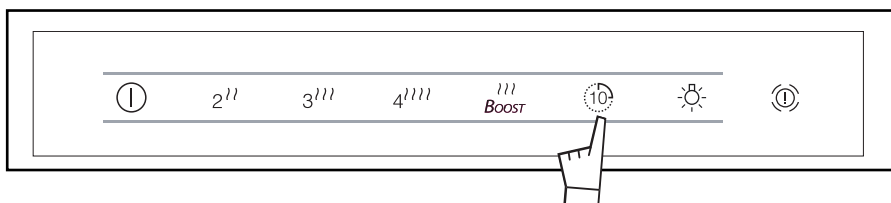
• LIGHT



Pressing the ☀ button briefly turns on your hood's halogen light.

To turn off the halogen light, press the ☀ button. Both the light and the button will go out.

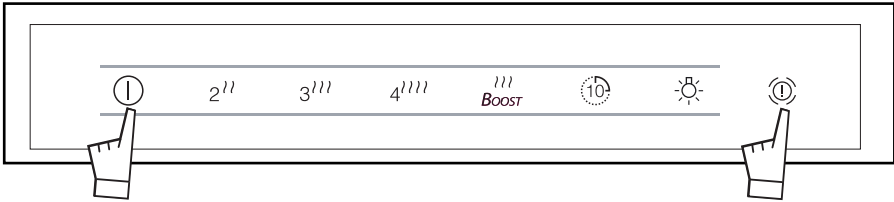
• LOCKING THE CONTROL PANEL



When cleaning your hood, you can lock the control panel by pressing the 10 button for 5 seconds. The button stays lit.

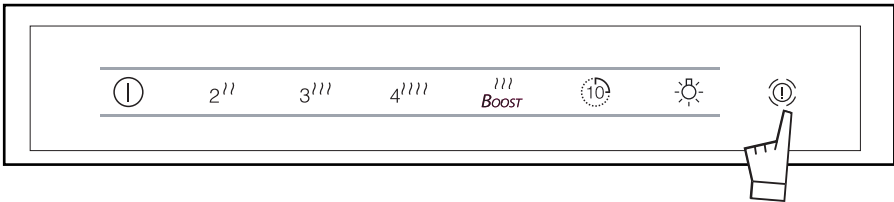
To unlock the control panel, do the same thing. The 10 button goes out.

• RECIRCULATION MODE

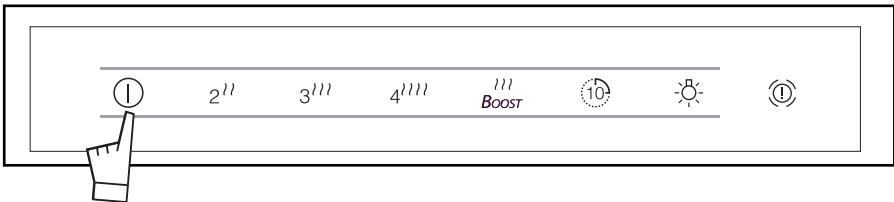


If your hood is in recirculation mode and you want to use carbon filters: When using them you can configure the hood in recirculation mode.

Keep your finger pressed at the same time on ① and ⑩. The buttons light up.

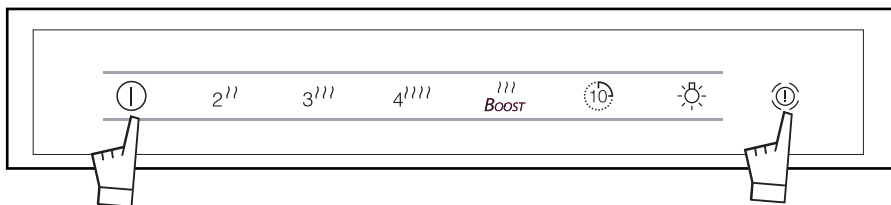


To configure it for recirculation mode, press ⑩ to see the 4th and ^{Boost} buttons light up.

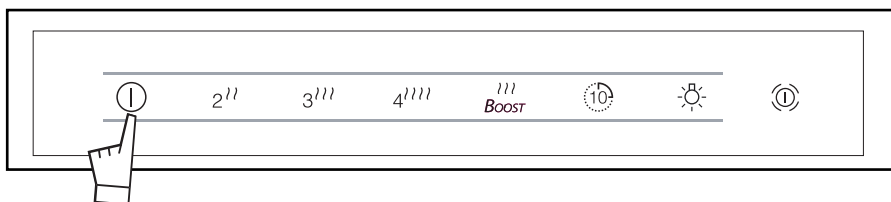


Confirm the configuration by pressing ①. The indicators go out.

• EXTRACTION MODE

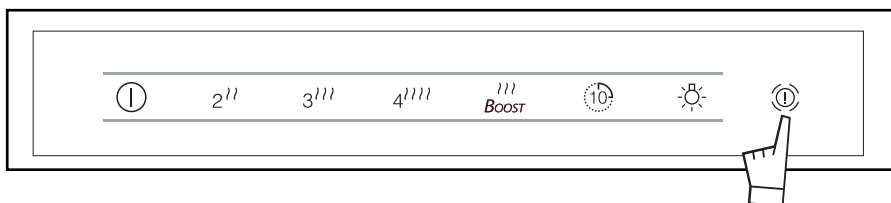


If your hood is connected to an external outlet, you can configure it for extraction mode:
Press ① and ⑩ simultaneously. The buttons light up.

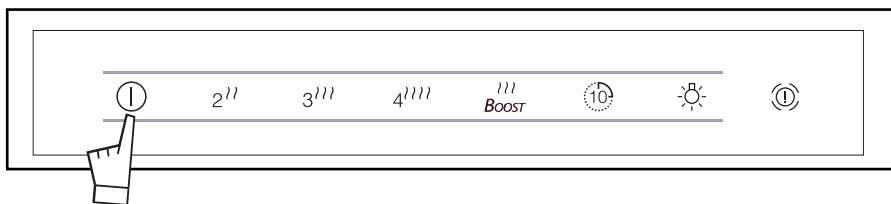


When 2^{lit} and 3^{lit} are lit: your hood is configured for EXTRACTION.

Press ① to confirm.

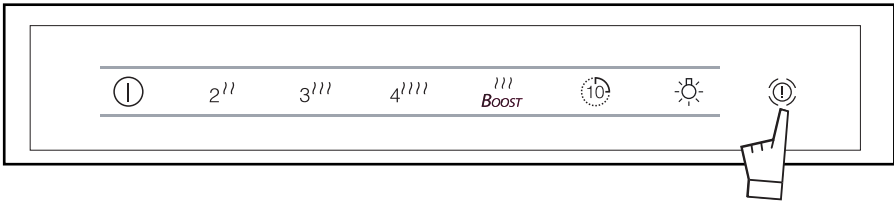


When 3^{lit} and 4^{lit} are lit: press ⑩.



The 2^{lit} and 3^{lit} buttons light up. Confirm by pressing ①.

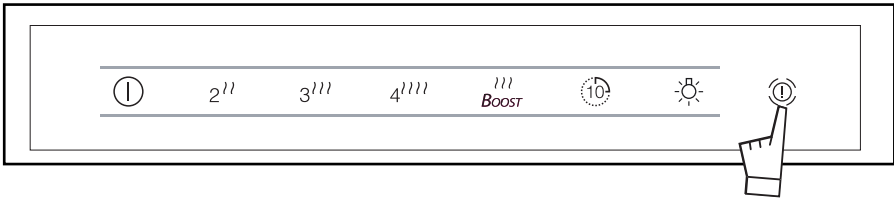
• SATURATED FILTER CARTRIDGE



When the ① indicator flashes, it means the filter cartridges must be cleaned (see chapter "Cleaning the filter cartridge").

Press ① to unlock the "saturation" function. The ① indicator goes out.

• SATURATED CARBON FILTER



When your hood is in recirculation mode and the ① indicator is lit, it means you need to change the carbon filter (we recommend that you replace the filters every 6 months).

To turn off the indicator ①, press the ① button. The indicator goes out.

• AUTO STOP FAN

If you forget to turn off your hood, it will stop after nine hours of use. The hood switches to OFF mode.

• AUTO STOP LIGHTING

If you forget to turn off the light, it will go out after nine hours of use.



Warning

Always unplug the hood before cleaning it or performing other maintenance acts. Regular maintenance of your appliance is a guarantee of proper functioning, good performance and durability.



Warning

Failure to respect the guidelines for cleaning the appliance and filters may cause fires. Please carefully adhere to the maintenance recommendations.

• **CLEANING THE FILTER CARTRIDGES**

They must be cleaned after approximately 30 hours of use or at least once a month. These filters can be cleaned in a vertical position in your dishwasher.

Use a brush, hot water and mild detergent. Rinse and dry them thoroughly before returning them to the hood.

• **Dismantling the filtre cartridge**

– Push the integrated handle on the filter cartridge (fig.1).

– Tip the filter cartridge downward (fig.2).

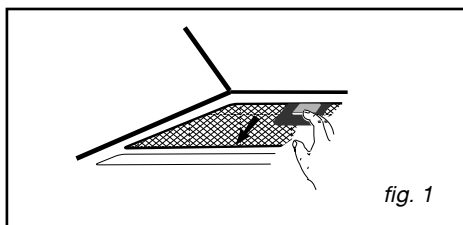


fig. 1

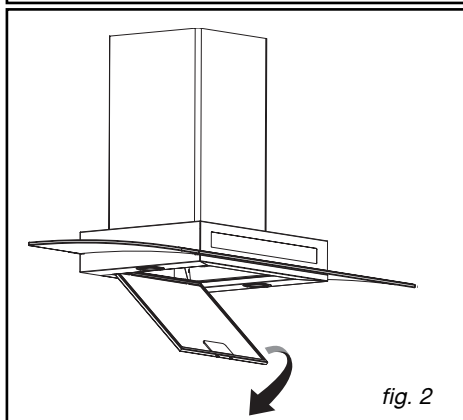


fig. 2

• **CHANGING THE CARBON FILTER**

Replace it after approximately 120 hours of use.

– Remove the filter cartridges (fig. 3).

– Place the carbon filter on the filter cartridge on the inside of the hood.

– Pull the two fastener clips over each side of the filter cartridge.

– Repeat these steps for all the filter cartridges.

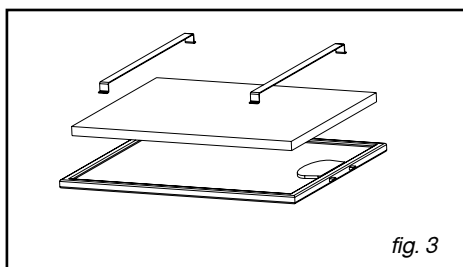


fig. 3

- **CLEANING THE OUTER SURFACES**

To clean the outside of your hood, use soapy water, but do not use abrasive creams or scrubbing sponges.

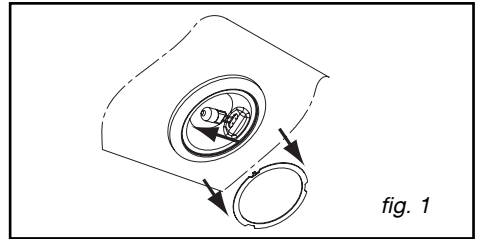
- **CHANGING THE LIGHT BULB**

**Warning**

Before carrying out any work, the power supply to the hood must be turned off, either by unplugging it or by using the circuit breaker switch.

Model with halogen bulb

- Remove the lighting port (fig. 1).
- Change the halogen bulb: G4-20W-12V.
- Replace the bulb by repeating these steps in reverse order.



**Warning**

Before carrying out any work, the power supply to the hood must be turned off, either by unplugging it or by using the circuit breaker switch.

- **MAINTAINING YOUR APPLIANCE**

MAINTENANCE...	WHAT TO DO?	PRODUCTS/ ACCESSORIES TO USE
Top surface and accessories	Never use metal scouring pads, abrasive products or excessively stiff brushes.	To clean the body and the lighting port, you should use only commercial household cleaning products diluted in water and then rinse using clean water, drying with a soft cloth.
Filter cartridge	This filter captures fatty fumes and dust. This component plays an important role in ensuring the effectiveness of your hood. In the event of tough stains, use a non-abrasive cream, then rinse with clean water.	Use a commercial household cleaning product then rinse abundantly and dry. You may place these parts in your dishwasher in the vertical position (do not let them come into contact with dirty dishes or silverware).
Activated carbon filter	This filter traps odours and must be changed at least once a year depending on your level of use. You should order these filters from your dealer (quoting the reference shown on the identification plate located inside the hood) and note the date the filter was changed.	

To keep your appliance in good working order, we recommend that you use Clearit household products.



Professional expertise for the general public

Clearit offers you professional products and adapted solutions for the daily upkeep of your household and kitchen appliances.

You may find them in conventional retail outlets, along with a complete line of by-products and consumables.

SYMPTOMS	SOLUTIONS
The hood is not working...	Ensure that: <ul style="list-style-type: none"> • The power is not cut off. • A speed has been selected.
The hood is not operating effectively...	Ensure that: <ul style="list-style-type: none"> • The selected motor speed is sufficient for the quantity of smoke and vapours to be cleared. • The kitchen is sufficiently ventilated to allow for fresh air intake. • The carbon filter is not worn (hood operating in recycling mode).
The hood has stopped working	Ensure that: <ul style="list-style-type: none"> • The power is not cut off. • The single-pole cut-off device was not activated.