

FR GUIDE D'UTILISATION
EN GUIDE TO INSTALLATION
CS NÁVOD NA INSTALACI A POUŽITÍ
DA INSTALLATIONS- OG BRUGSVEJLEDNING
DE BETRIEBSANLEITUNG

Hotte de cuisine Cooker hood Kuchyňská digestoř Emhætte til køkken Dunstabzugshaube

De Dietrich 



FR 01 *Dear Customer,*

EN 17 *You have just acquired a **DE DIETRICH** hood, and we would like to thank you.*

CS 32 *Our research teams have created this new generation of appliances for you. Their quality, design, features and technological advances make them exceptional products, and reveal our unique know-how.*

DA 47

DE 62 *Your new **DE DIETRICH** hood will blend harmoniously into your kitchen and will perfectly combine extraction performance and ease of use. We wanted to offer you a product of excellence.*

*In the **DE DIETRICH** product range, you will also find a wide choice of hobs, ovens, microwaves, dishwashers, cookers, fridges, freezers, that you can coordinate with your new **DE DIETRICH** hood.*

Visit our website www.dedietrich-electromanager.com, where you will find our latest innovations as well as useful and complementary information.

DE DIETRICH
Setting New Values

As part of our commitment to constantly improving our products, we reserve the right to make changes to them based on technical advances to their technical and functional features and appearance.

⚠ Warning : Before installing and using your appliance, please carefully read this Guide to Installation and Use, which will allow you to quickly familiarise yourself with its operation.

www.dedietrich-electromanager.com 

1 / NOTICES TO THE USER	
• Safety recommendations _____	19
• Environmental protection _____	20
• For Australia only (Legal instruction) _____	21
• Description of your appliance _____	21
2 / INSTALLING YOUR APPLIANCE	
• Using the evacuation mode _____	22
• Using the recycling mode _____	22
• Electrical connections _____	23
• Assembling the hood _____	24
• Fixing the telescopic flues	
• Ducting mode _____	25
• Filtering mode _____	26
3 / USING YOUR APPLIANCE	
• Description of the control panel _____	27
4 / CARING FOR AND CLEANING YOUR APPLIANCE	
• Cleaning the grease filter _____	28
• Changing the charcoal filter _____	28
• Cleaning and caring of the casing _____	29
• Changing the light bulb _____	29
• Maintaining your appliance _____	30
5 / TROUBLESHOOTING _____	31
6 / AFTER SALES SERVICE _____	31

**Attention**

Keep this user guide with your appliance. If the appliance is ever sold or transferred to another person, ensure that the new owner receives the user guide. Please become familiar with these recommendations before installing and using your oven. They were written for your safety and the safety of others.

• SAFETY RECOMMENDATIONS

- This oven was designed for use by private persons in their homes.
- This appliance is to be used by adults. Make sure that children do not touch and that they do not treat it as a toy. Make sure that they do not touch the appliance's control panel.
- When you receive the appliance, unpack or have it unpacked immediately. Give it an over-all general inspection. Make note of any concerns or reservations on the delivery slip and make sure to keep a copy of this form.
- Your appliance is intended for standard household use. Do not use it for commercial or industrial purposes or for any other purpose than that for which it was designed.
- Do not modify or attempt to modify any of the characteristics of this appliance. This would be dangerous to your safety.
- Repairs must only be carried out by an approved specialist.
- Always unplug the hood before cleaning it or performing other maintenance acts.
- Provide adequate ventilation for the room in the case of simultaneous use of the hood and other appliances powered by an energy source other than electricity. This will prevent the hood from aspirating the combustion gases.
- You should never "flambé" dishes under the hood or operate gas rings under the hood without placing cookware on them (the flames sucked up into the hood can damage the appliance).
- When frying food under the appliance, you must carefully monitor the preparation at all times. Oils and grease brought to very high temperatures can catch fire.
- Respect the recommended frequency of cleanings and filter replacements. The accumulation of grease deposits may cause a fire.
- The hood should never be used over a

combustible fuel burning stove (wood, coal, etc.).

- Never use steam or high-pressure devices to clean your appliance (requirement imposed by electrical safety).

- With a view to constantly improving our products, we reserve the right to modify their technical, functional or aesthetic characteristics, making any changes to their features considered necessary or desirable in view of technical progress.

- In order to easily locate the reference information for your appliance, we recommend that you note these data on the "After-Sales Service Department and Customer Relations" page.

(This page also explains to you where to find this information on your appliance.)

**Warning**

In the case of a kitchen heated by a device connected to a chimney (a stove, for example) the "filtering" version of the hood should be installed. Do not use the hood without grease filters.

Suitable ventilation should be provided in the room when the hood is used at the same time as appliances operated by gas or another combustible fuel.

• ENVIRONMENTAL PROTECTION

- This appliance's packaging material is recyclable. Help recycle it and protect the environment by dropping it off in the municipal receptacles provided for this purpose.

- Your appliance also contains a great amount of recyclable material. It is marked with this label to indicate the used appliances that should not be mixed with other waste. This way, the appliance recycling organised by your manufacturer will be done under the best possible conditions, in compliance with European Directive 2002/96/EC on Waste Electrical and Electronic Equipment. Contact your town hall or your retailer for the used appliance collection points closest to your home.



- We thank you doing your part to protect the environment.

**Warning**

Installation should only be performed by installers and qualified technicians

**Warning**

Remove the protective film from the grease filter before use.

• FOR AUSTRALIA ONLY (Legal instruction)

Young children should be supervised to ensure that they do not play with the appliance.

The appliance is not intended for use by young children or infirm person without supervision.

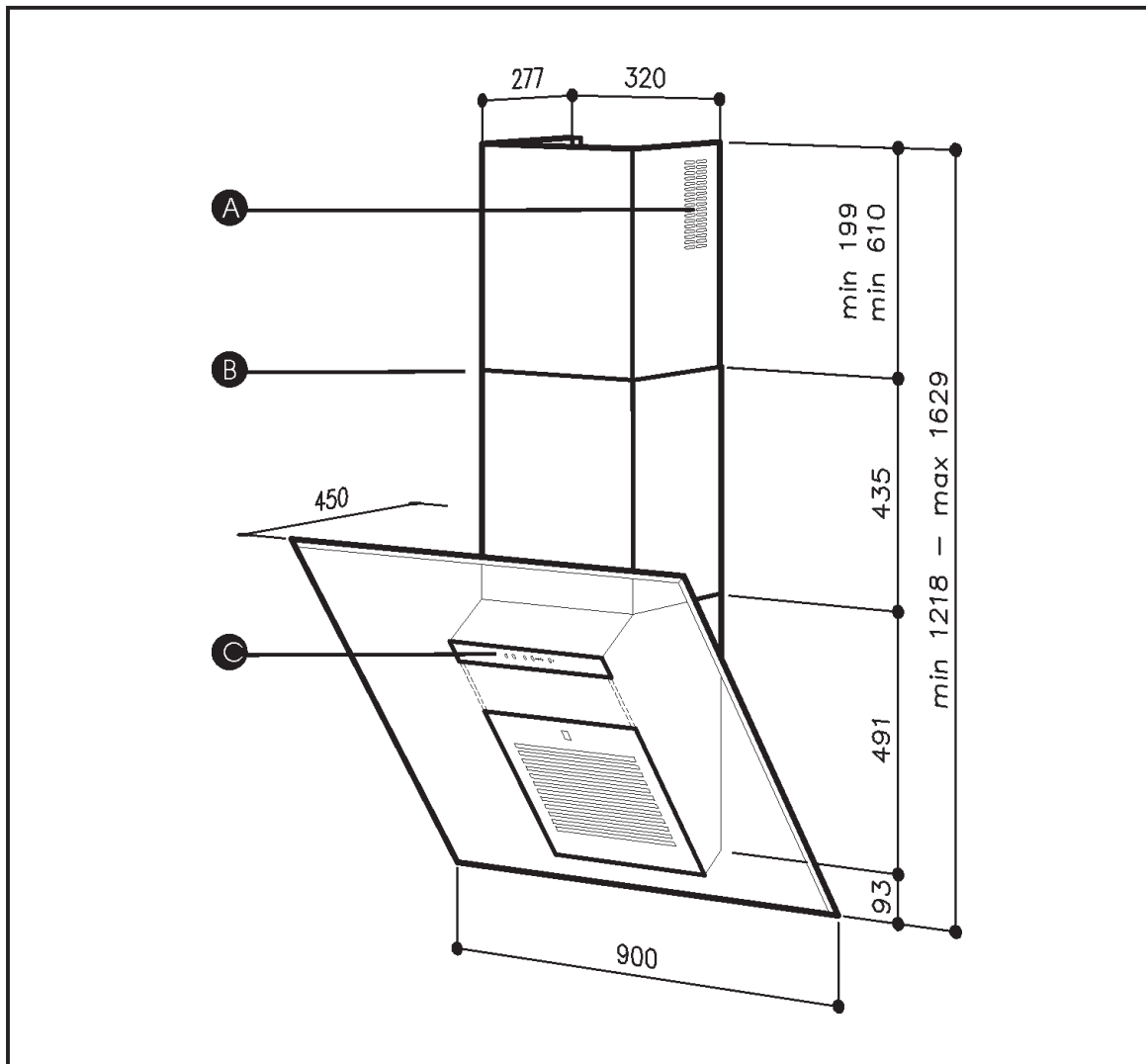
If the supply cord is damaged, it must be replaced by the manufacturer or its service agent or a similarly qualified person in order to avoid hazard.

WARNING : Ensure the appliance is switched off before replacing the lamp to avoid the possibility of electric shock.

For service issues, telephone number: 1300

Do not install the product if you see any damage on it.

• DESCRIPTION OF YOUR APPLIANCE



A Fixing tabs

B Telescopic flues

C Control panel

- The appliance must be unplugged during installation or when any repairs or maintenance work is being performed.
- Ensure that the network voltage corresponds to the voltage noted on the identification plate located inside the hood.
- If the electrical installation at your residence requires any changes in order to hook up your Appliance, call upon a professional electrician.
- If the hood is being used in evacuation mode, do not connect the appliance to a combustion gas exhaust duct (boiler, chimney, etc.) or to a CMV (controlled mechanical ventilation) system.
- Under no circumstances should the exhaust duct empty into the attic.
- Install the hood at safe distance of at least 35 cm from an cooking hob.

This appliance can be installed in either ducting version or filtering version.

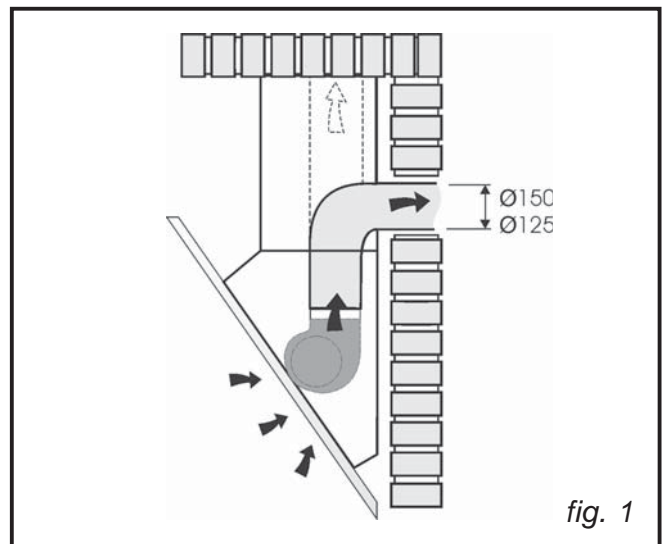
The appliance is supplied in the filtering version, the charcoal filter is installed (Ref.AH4063U1).

• USING THE DUCTING MODE

If you posses an outlet to the exterior
(fig. 1)

Your hood can be connected to this outlet using a flue (minimum \varnothing 125mm that is enamelled, in aluminium, flexible or made of inflammable material).

Your cooker hood is a filtering version. All you need to do is to remove the charcoal filter first.

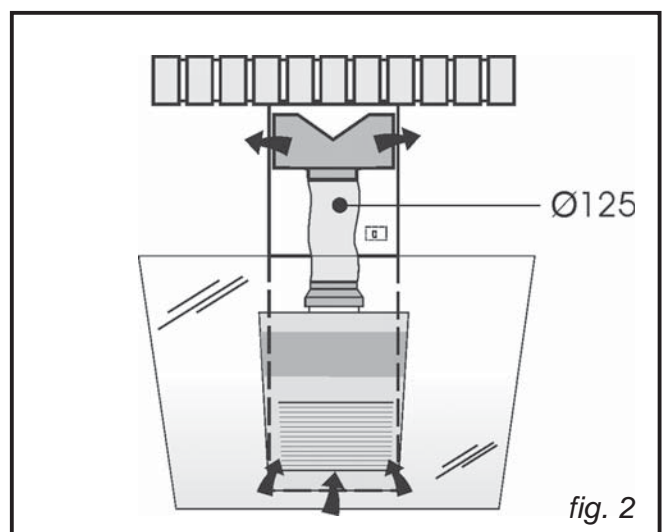


• USING THE FILTERING MODE

If you do not posses an outlet to the exterior
(fig. 2)

All of our appliances can be used in recycling mode.

The air and steam taken up by the unit are purified with charcoal filter and returned to the environment.



• ELECTRICAL CONNECTIONS

During installation and maintenance operations, the appliance must be unplugged from the electrical grid; fuses must be cut off or removed. The electrical connections are made before the appliance is installed in its housing.

Ensure that

- the electrical installation has sufficient voltage,
- the electrical wires are in good condition,
- the diameter of the wires complies with the installation requirements.



Warning

This appliance must be grounded. We cannot be held responsible for any accident resulting from an inexistent, defective or incorrect ground lead.

In case your appliance is not furnished with a non separating flexible cable and has no plug, or has not got any other device ensuring omnipolar disconnection from the electricity main, with a contact opening distance of at least 3mm, such separating device ensuring disconnection from the main must be included in the fixed installation. This appliance is delivered with a H05VVF power cord that has three-0.75mm² conductors (neutral, phase and ground). It must be connected to the main power supply (which should be a 230-240V single phase current) via a CEI60083 standardised socket that should remain accessible after installation, in keeping with installation guidelines.

If the power cable is damaged, call the after-sales service department in order to avoid danger.



Warning

If the electrical installation at your residence requires any changes in order to hook up your appliance, call upon a professional electrician.



Warning

If the hood displays any malfunctions, unplug the appliance or remove the fuse corresponding to the electrical socket where your appliance is plugged in.

• ASSEMBLING THE HOOD



Warning

The hood must be installed in compliance with all applicable regulations concerning the ventilation of premises. In France these regulations are described in DTU 61.1 from the CSTB. In particular, the evacuated air should never be conveyed to a duct used to evacuate smoke from appliances that use gas or other combustible fuels. Unused ducts may only be used after approval from a competent specialist.

The distance between the supporting surface for the cooking vessels on the hob and the lower part of the hood must be at least 350 mm. If the instructions for installation for the hob specify a greater distance, this has to be taken into account.

Fixing to the wall

Draw a line on the wall in vertical line with your hob. Mark the first 2 holes to be drilled in the wall, respecting the distances indicated in Fig.3. Drill the 2 holes and fit the screw anchors provided. Bear in mind that the distance between the lower edge of the hood and the hob must be 350 mm. Fix the metal bracket (A) to the wall using the 2 holes just drilled (Fig. 4); the screws for fixing the bracket are provided. Use the 2 cut-out triangles on the bracket to position it exactly along the vertical axis of the hood.

Hang the hood on the bracket (Fig.5). Adjust the horizontal position moving the hood to the right or left so that it is aligned with the wall units. If you also need to adjust the hood in height, operate on the adjusting screws (B) provided.

When adjustment has been completed, without removing the hood, mark the other 6 holes to be drilled (C) in the wall. Remove the hood and drill the holes marked (8 mm diameter). Then use the 6 screw anchors and the 6 screws provided for final fixing.

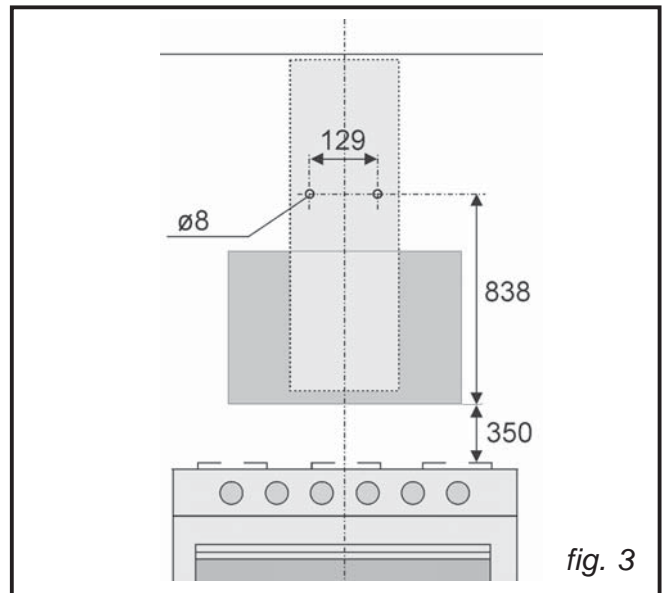


fig. 3

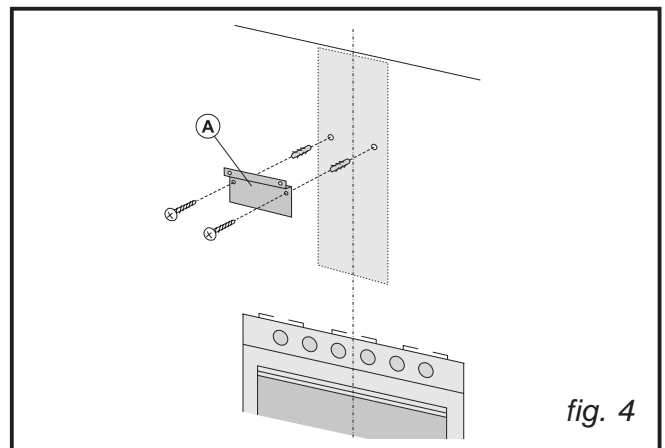


fig. 4

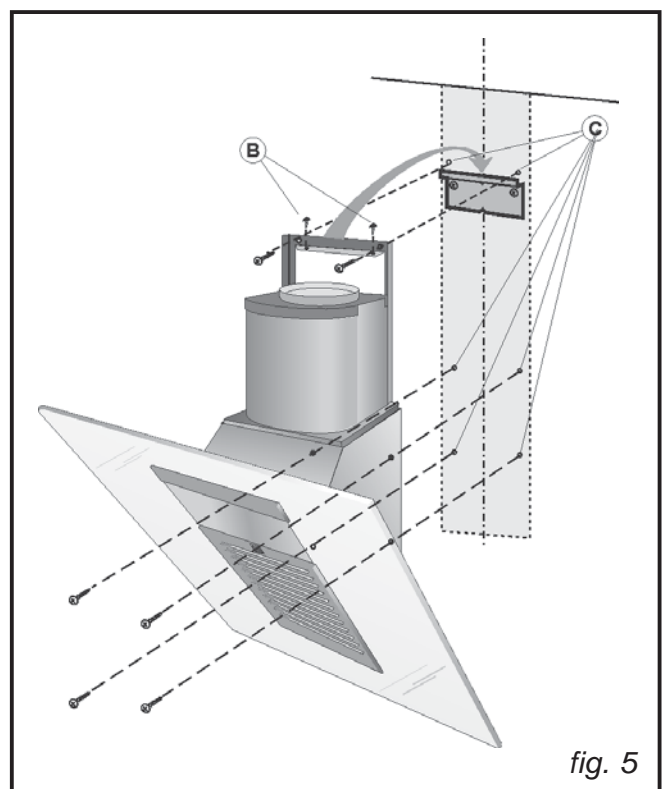


fig. 5

Install the flange in the device air outlet and press slightly (Fig.6).

• FIXING THE TELESCOPIC FLUES

• Ducting mode

- Assemble the tube support using a 4 screws kit (Fig.7); then, by means of the screw anchors and screws (F) provided, fix the bracket to the ceiling in such a way that it is positioned along the axis with your hood (Fig.8).

- Connect the air outlet pipe to the air vent of the hood.

- Use a flexible pipe and lock it to the air vent of the hood with a metal hose clamp - Fig.9 (pipe and clamp are not provided).

- For ducting hoods, turn the upper flue over so that the air exhaust grid is in the lower section (Fig.10).

- Plug in the hood.

- Insert the extension flues setting them on the hood; extend the upper flue to the ceiling and secure with the 2 screws (H) - Fig.11.

Warning

This is the filtering version of your cooker hood; you must first remove the charcoal filter.

Tip

For optimal use of your appliance, we recommend that you connect the hood to a 150 mm-diameter flue (not delivered with the appliance). Minimise the number of angles and bends and the lengths of the flue. In the event that the hood will be operated using out-door evacuation, you should ensure a sufficient inflow of fresh air to avoid a pressure deficiency in the room.

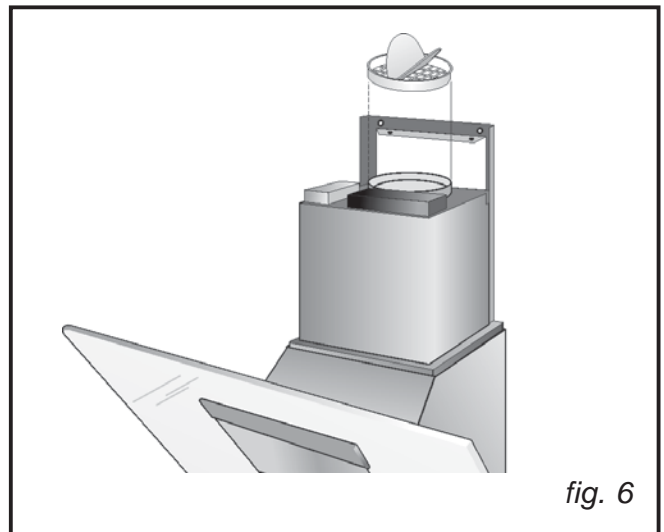


fig. 6

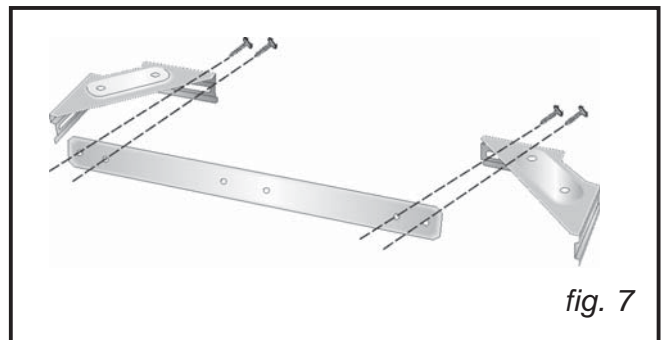


fig. 7

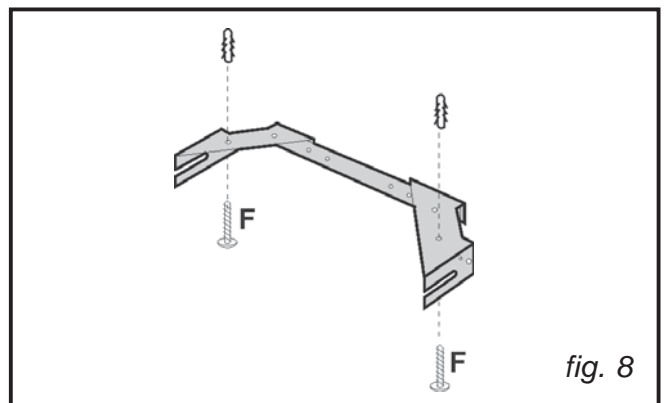


fig. 8

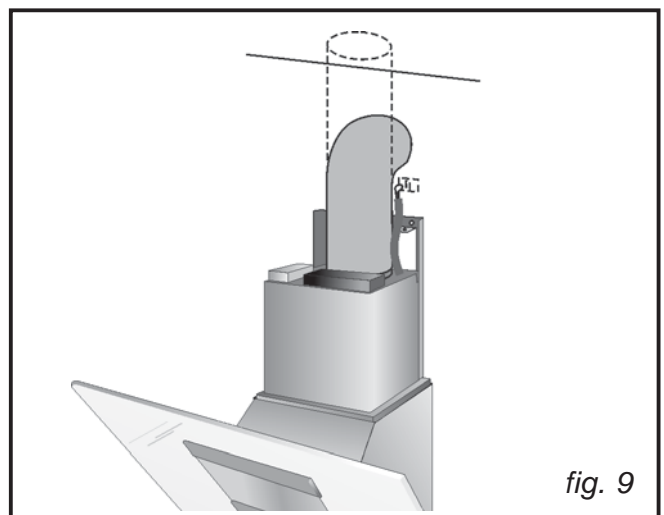
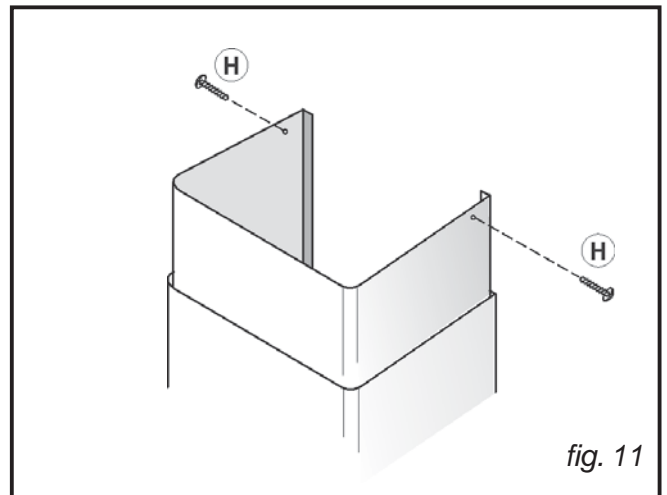
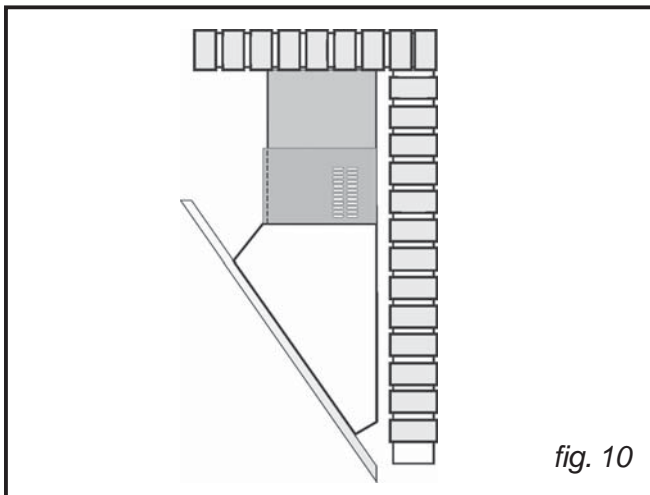
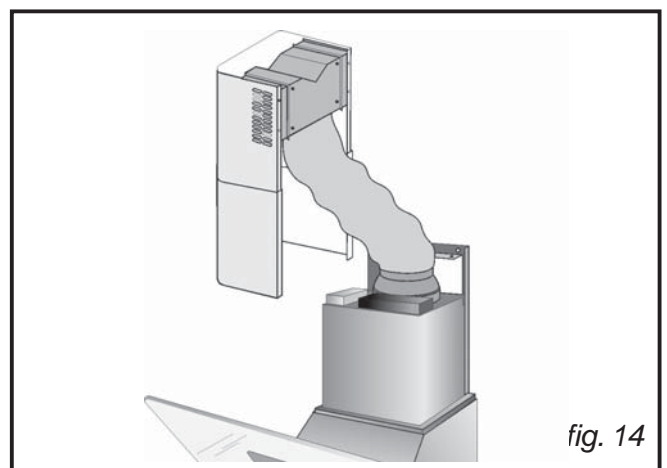
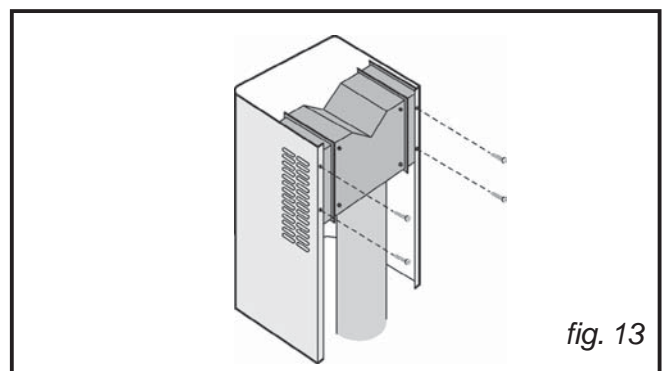
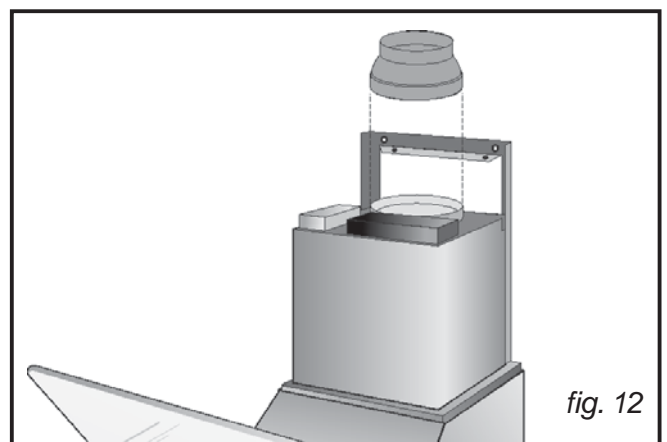


fig. 9



• Filtering mode

- Assemble the tube support using a 4 screws kit (Fig.7).
- Then, by means of the screw anchors and screws (F) provided, fix the bracket to the ceiling in such a way that it is positioned along the axis with your hood (Fig.8).
- Mount the flange on the hood in correspondence to the air outlet point (Fig.12).
- Take the air baffle and fit a flexible pipe to it (125 mm diameter) locking it with a metal hose clamp (pipe and clamps are not provided). Fit the air baffle to the upper flue (Fig.13) with 4 screws.
- Connect the flexible pipe to the flange on the air vent (Fig.14).
- Plug in the hood.
- Insert the extension flues setting them on the hood; extend the upper flue to the ceiling and secure with the 2 screws H (Fig.11).



• DESCRIPTION OF CONTROL PANEL

Model DHD697 (fig. 15)

A) Turns the LIGHTS off.

B) Turns the LIGHTS on.

C) reduces the motor speed until reaching minimum. If pressed for about 2", it stops the motor and stores the speed.

D) drives the motor (calling the last speed used) and increases the speed until reaching maximum.

L Display:

- signals the running speed.

- signals the filter alarm (with motor off) by displaying the central segment for 30".

- signals Timer activation with a flashing number.

E) activates the TIMER (when the motor is running), so that the hood stops automatically after 5'. Also Zero-sets hour metering when the Filter Alarm is active (motor OFF).

FILTER ALARM

Displayed for 30" when the motor is off:

After 30h of operation, the central segment lights up on the display; It indicates that the grease filters need to be cleaned.

After 120h of operation, the central segment flashes on the display; It indicates that the grease filters need to be cleaned and the charcoal filters replaced.

After cleaning the grease filters (and/or replacing the charcoal filters), restart the hour counter (RESET) by pressing the key E during display of the filter alarm.

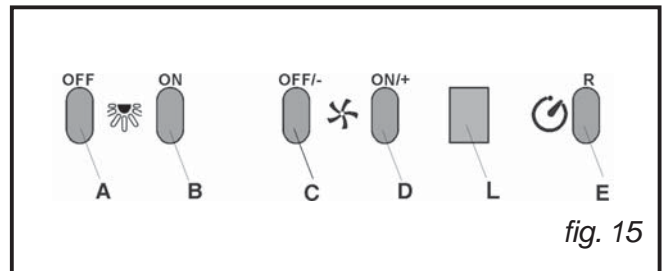


fig. 15

Models DHD497 / DHD790 (fig. 16)

A) Turns the LIGHTS off.

B) Turns the LIGHTS on.

C) Decreases speed down to minimum speed. If pressed for 2" the motor is turned off.

D) Activates the motor (calling the last speed used) and increases the speed until reaching maximum..

E) FILTER ALARM/TIMER RESET: when pressing the key during display of the filter alarm (motor off) it resets the hour counter. When pressing the key when the motor is running, the TIMER is activated and the hood will automatically be switched off after 5 minutes.

L1) The 4 green LEDs indicate the running speed.

L2) When the LED is red (motor off) it indicates the FILTER ALARM. When the LED is green (flashing) it indicates that the TIMER has been activated with the key E.

FILTER ALARM

After 30h of operation, the LED L2 turns RED. It indicates that the grease filters need to be cleaned.

After 120h of operation, the LED L2 turns RED and flashes; It indicates that the grease filters need to be cleaned and the charcoal filters replaced.

After cleaning the grease filters (and/or replacing the charcoal filters), restart the hour counter (RESET) by pressing the key E during display of the filter alarm.

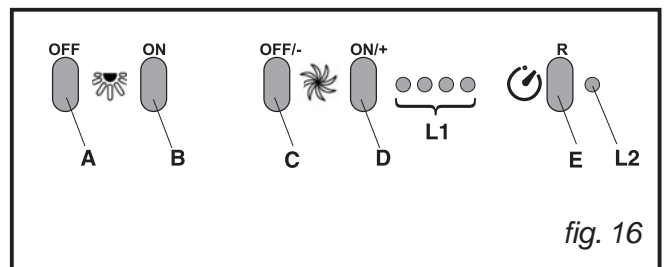


fig. 16



Tip

This guide to installation and use is valid for several models. Minor differences in details and fittings may emerge between your appliance and the descriptions provided.

**Warning**

Always unplug the hood before cleaning it or performing other maintenance acts. Regular maintenance of your appliance is a guarantee of proper functioning, good performance and durability.

**Warning**

Failure to respect the guidelines for cleaning the appliance and filters may cause fires. Please carefully adhere to the maintenance recommendations.

• CLEANING THE GREASE FILTER

Pay special attention to the grease filter, that must be cleaned at regular intervals.

Filter cleaning frequency:

Model DHD697

The grease filter must be cleaned about every 30 hours of operation (when, with the motor off, the central segment on the display lights up). Once the clean filter has been refitted, press the button E (while the central segment is lit up) and restart the hour counter.

Models DHD497 / DHD790

The grease filter must be cleaned about every 30 hours of operation (when, with the motor off, the LED L2 turns red). Once the clean filter has been refitted, press the button E (while the LED L2 is red) and restart the hour counter.

Wash the filters with a commercial household cleanser, then rinse fully and dry. They may be cleaned in a dishwasher **making sure that the filter does not come into contact with dirty dishes or silver tableware.**

• Removing the grease filter (fig. 17 / 18)

Pull the catch and move the metal grille upwards (Fig.17); Remove the grease filter by pushing it downwards and turning it outwards (Fig.18).

• CHANGING THE CHARCOAL FILTER

If the hood is used in the filtering version, the charcoal filter will periodically have to be replaced.

Frequency of filter replacement:

Model DHD697

The charcoal filter must be replaced about every 120 hours of operation (when, with the motor off, the central segment on the display lights up

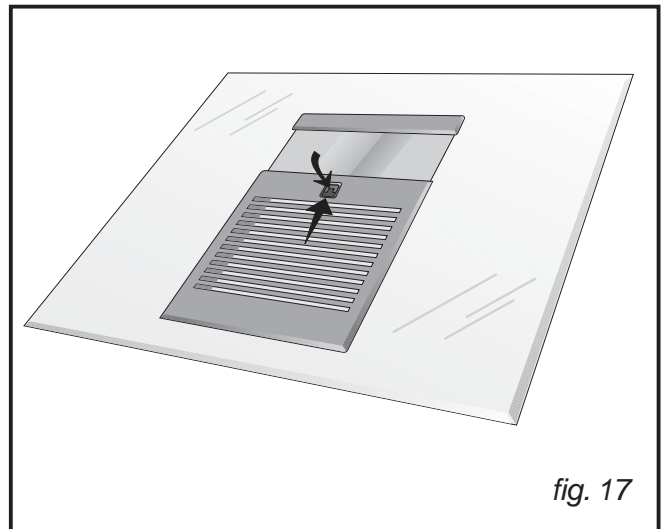


fig. 17

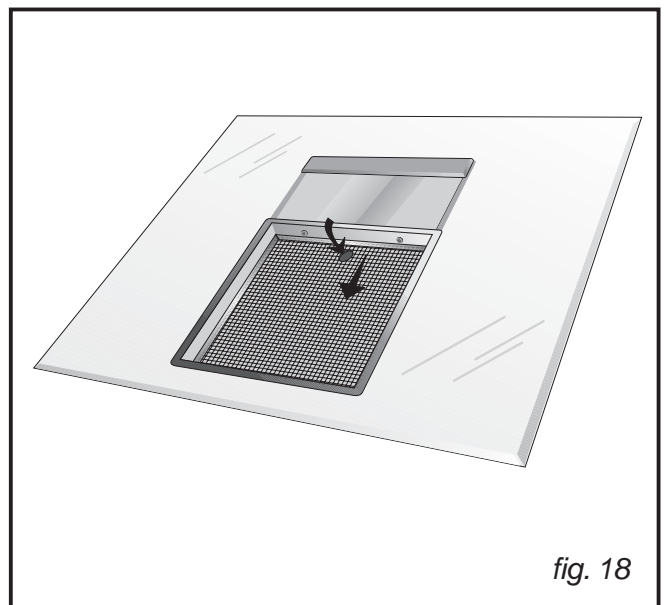


fig. 18

or flashes). Once the clean filter has been refitted, press the button E (while the central segment is lit up or flashing) and restart the hour counter.

Models DHD497 / DHD790

The charcoal filter must be replaced about every 120 hours of operation (when, with the motor off, the LED L2 turns red or flashes red). Once the clean filter has been refitted, press the button E (while the LED L2 is red or flashing) and restart the hour counter.

• **Replacing the charcoal filter (Fig. 19)**

Remove the metal grille (Fig.17) and the grease filter (Fig.18).

Remove the charcoal filter by pressing the catch inwards and turn the charcoal filter until the two tabs come out of their seats (Fig.19).

Charcoal filter ref. no.
AH4063U1

• **CLEANING AND CARING OF THE CASING**

Avoid products containing abrasives when cleaning the casing.

• **CHANGING THE LIGHT BULB**



Warning

Before carrying out any work, the power supply to the hood must be turned off, either by unplugging it or by using the circuit breaker switch.

To reach the lamps you remove the metallic support tightening the two screws (Fig. 20) and moving it to the right;

to replace the halogen lamps tighten the locknut in the anti-clockwise direction and pull out the bulb (Fig.21). Replace the lamps of the same type.

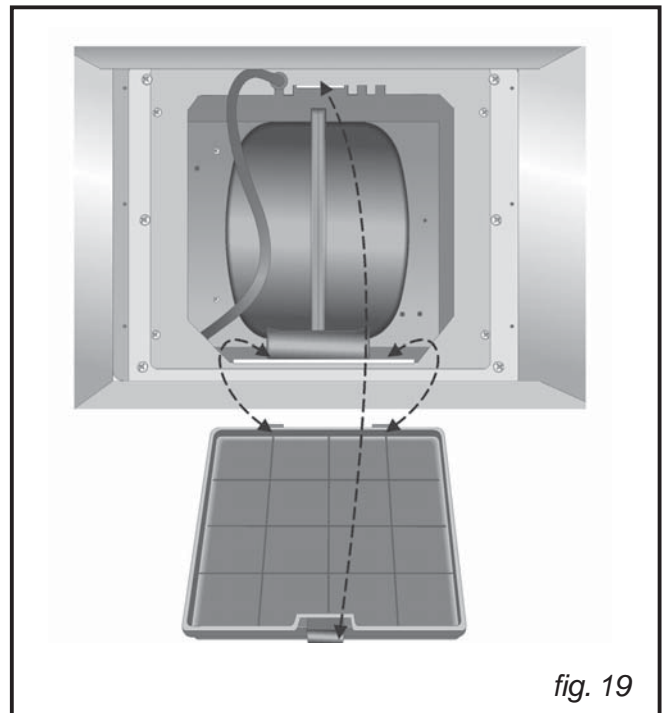


fig. 19

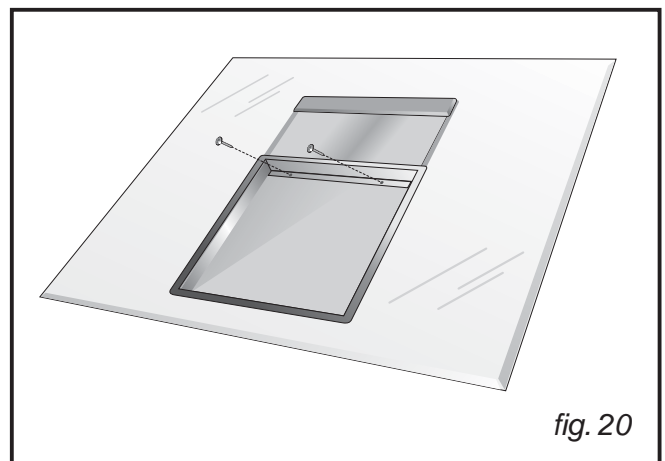


fig. 20

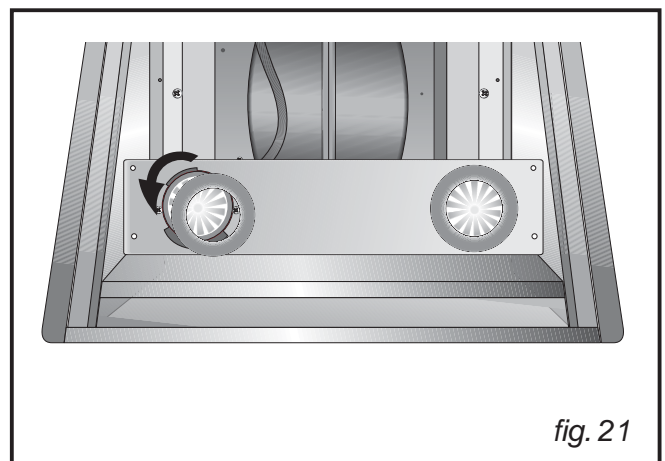


fig. 21

**Warning**

Before carrying out any work, the power supply to the hood must be turned off, either by unplugging it or by using the circuit breaker switch.

• MAINTAINING YOUR APPLIANCE

MAINTENANCE...	WHAT TO DO ?	PRODUCTS/ACCESSORIES TO USE
Top surface and accessoires	Never use metal scouring pads, abrasive products or excessively stiff brushes.	To clean the body and the lighting port, you should use only commercial household cleaning products diluted in water and then rinse using clean water, drying with a soft cloth.
Grease filter	This filter traps fatty vapours and dust. This component plays an important role in ensuring the effectiveness of your hood. In the event of tough stains, use a non-abrasive cream, then rinse with clean water.	Use a commercial household cleaning product then rinse abundantly and dry. These filters can be cleaned in a vertical position in your dishwasher. (Do not allow them touch dirty dishes or silverware).
Charcoal filter	This filter traps odours and must be changed at least once every 6 months depending on your level of use. You should order these filters from your dealer (quoting the reference shown on the identification plate located inside the hood) and note the date the filter was changed.	

To keep your appliance in good working order, we recommend that you use Clearit household products.



*Professional expertise for
the general public*

Clearit offers you professional products and adapted solutions for the daily upkeep of your household and kitchen appliances.

You may find them in conventional retail outlets, along with a complete line of by-products and consumables.

SYMPTOMS	SOLUTIONS
The hood is not working...	Ensure that: <ul style="list-style-type: none"> • The power is not cut off. • A speed has been selected.
The hood is not operating effectively...	Ensure that: <ul style="list-style-type: none"> • The selected motor speed is sufficient for the quantity of smoke and vapours to be cleared. • The kitchen is sufficiently ventilated to allow une for fresh air intake. • The charcoal filter is not worn (hood operating in filtering mode).
The hood stopped working	Ensure that: <ul style="list-style-type: none"> • The power is not cut off. • The single-pole cut-off device was not activated.

Any maintenance on your equipment should be undertaken by:

- either your dealer,
- or another qualified mechanic who is an authorized agent for the brand appliances.

When making an appointment, state the full reference of your equipment (model, type and serial number). This information appears on the manufacturer's nameplate attached to your equipment.